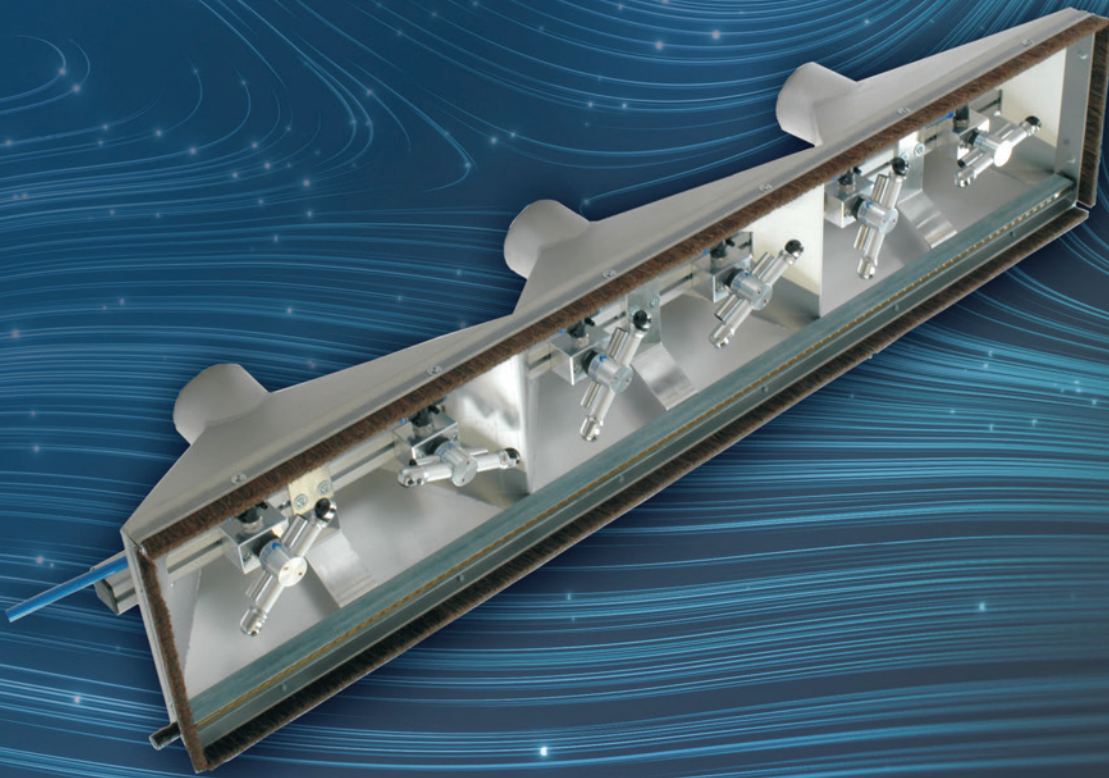


DISCHARGING



**eltex**

electrostatic  
innovations



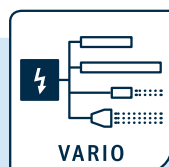
## Static Combi Cleaner SCC

### Cleaning unit with rotating ion blower nozzles

The combination of Eltex ionizing bars and speed-controlled, pressure-independent rotating nozzles with pulsating effect achieves maximum cleanliness on smooth, structured and three-dimensional surfaces.

#### Advantages at a glance

- › non-contacting cleaning
- › highly effective electrostatic discharge of surfaces and particles
- › Depth effect with structured and 3D-surfaces
- › pressure-independent control of the rotating nozzles
- › in combination with the POWER IONIZER also suitable for ESD applications



VARIO

Suitable for connecting one or more Eltex discharge components:



POWER IONIZER



BASE IONIZER ES60



COMPACT IONIZER ES24

## Static Combi Cleaner SCC

### Functional principle

#### Suction of the particles

Suction volume must be 10 - 20 times the blown in air volume

- ✱ adhering particles
- ✱ discharged particles

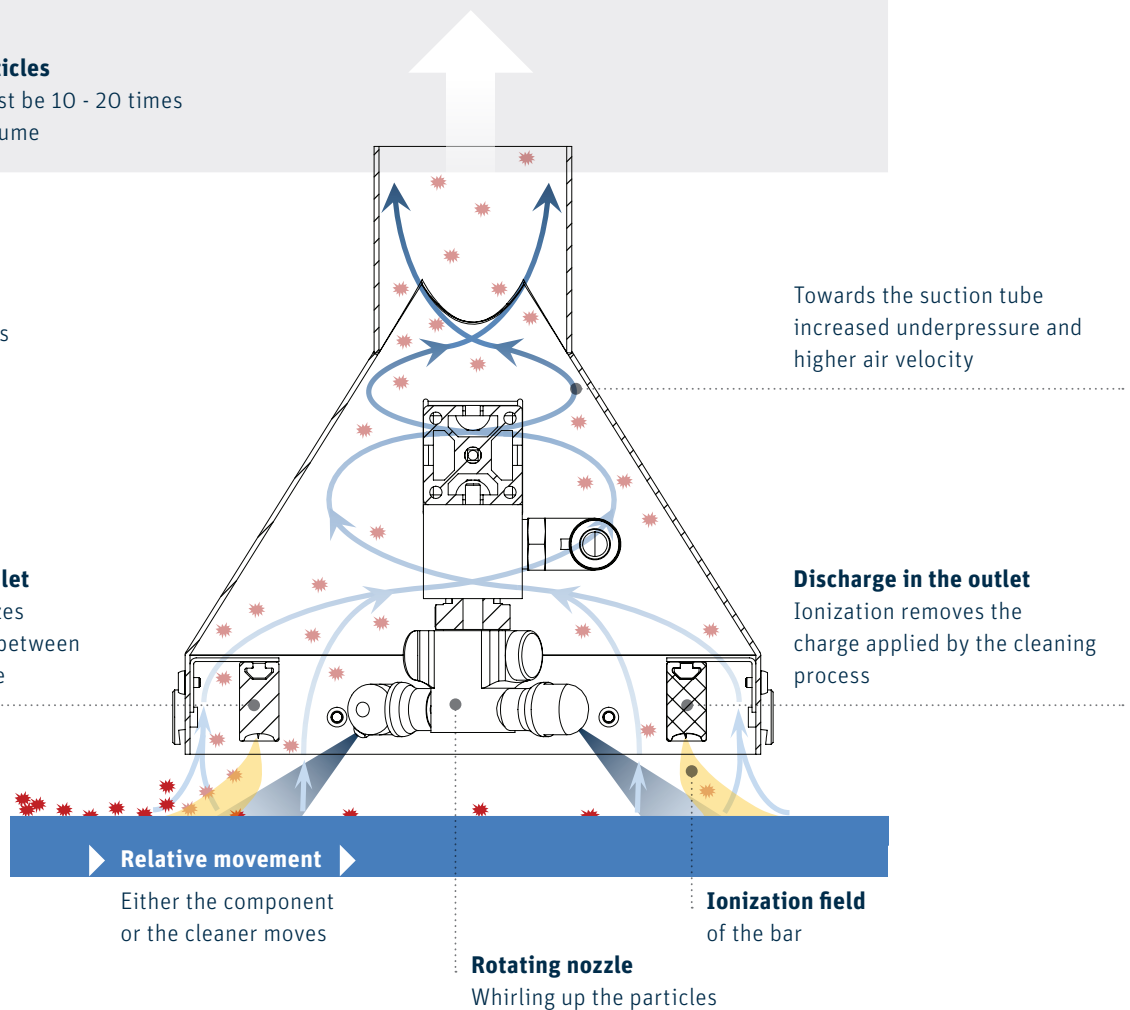
Towards the suction tube increased underpressure and higher air velocity

#### Discharge in the inlet

Ionization neutralizes the adhesive force between surface and particle

#### Discharge in the outlet

Ionization removes the charge applied by the cleaning process



### Technical information

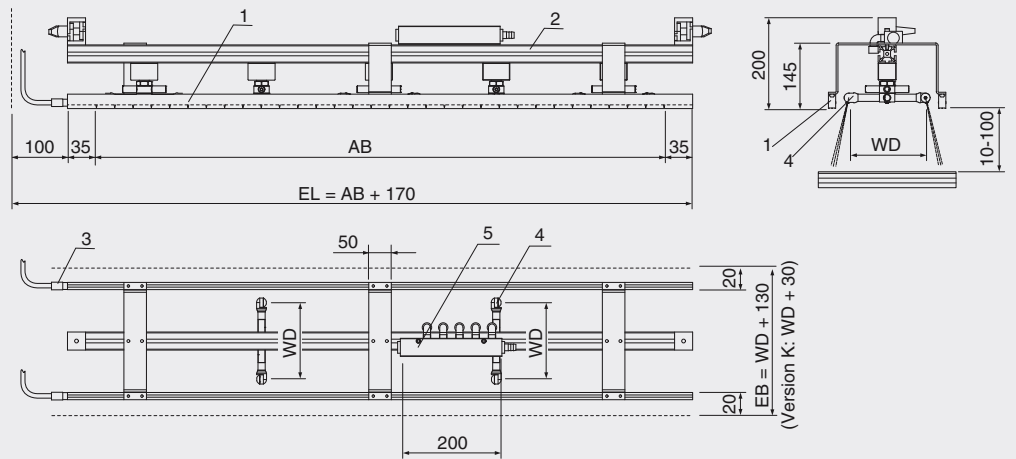
Weight	without suction hood	approx. 9 kg/m							
	with suction hood	approx. 12 kg/m							
Required air pressure	2 ... 10 bar, dry, oil-free, filtered								
Air consumption per nozzle (speed controlled, 6 bar)	Ø-nozzle insert mm	0.6	0.8	1.0	1.2	1.4	1.6	1.8	2.0
	NI/min.	79	101	150	201	246	313	392	484
Nozzle speed controlled nozzle	approx. 600 U/min								
Compressed air connection	G 1/2", or hose grommet NW13								
Required suction power (option suction enclosure)	min. 600 m3/h per suction nozzle, vacuum pressure min. 2500 Pa (-0,025 bar)								
Operating ambient temp.	0 ... 80 °C, max. 70 % RH, non dewing								

**Static Combi Cleaner SCC**

Dimensions without suction hood

Main dimensions (L x W x H)  
EL mm x EB mm x 200 mm

EL = Installation length  
AB = Working width  
WD = effective nozzle diameter  
EB = Installation width



Dimensions with suction hood

Main dimensions (L x W x H)  
EL mm x 300 mm x 316 mm

EL = Installation length  
AB = Working width  
WD = Effective nozzle diameter

