

DISCHARGING



eltex

electrostatic
innovations



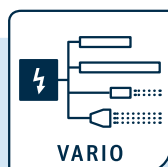
flatGUN PR36, PR55

Ion blower guns for cleaning with flat jet nozzle

For manual cleaning tasks, we combine advantages of Eltex nozzle technology with the variability of a hand-held air gun. The flatGUN blower guns are based on 2 base elements (PR36 and PR55). All types are available with compressed air connection at the top or bottom, with or without air filter and optionally with balancer.

Advantages at a glance

- due to a variety of geometries, suitable for any application
- 6 bar permitted
- Nozzles and tips of the PR36 can be replaced individually



VARIO

Suitable for connecting
one or more Eltex
discharge components:



POWER IONIZER



BASE IONIZER ES60



COMPACT IONIZER ES24

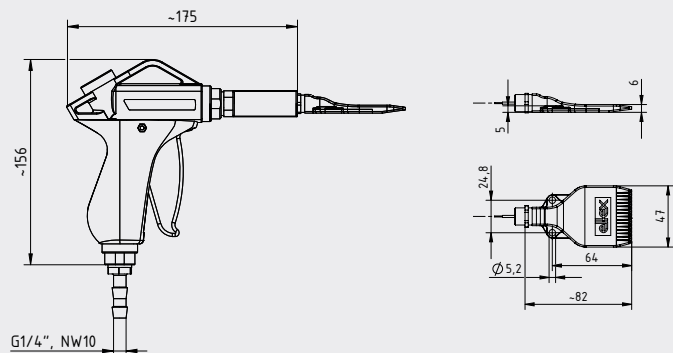

flatGUN PR36, PR55

Technical Information

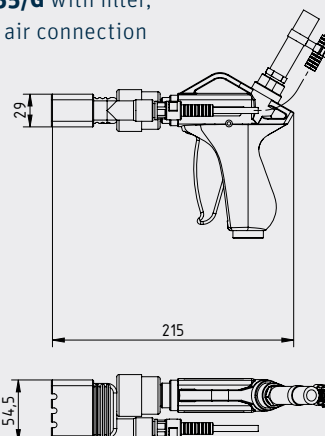
| Element | PR36 | PR55 | |
|-------------------------------|---|-------------------------|-------------------------|
| | Type F | Type L | Type B |
| Bar element | plastic PA6.6, 30 % GF | PP, 40 % GF | |
| Emission tip | tungsten | Edelstahl | |
| Operating ambient temperature | 0...+80 °C with compressed air 0...+60 °C without compressed air | | |
| Ambient humidity | max. 70 % r. F., no dewing | | |
| Weight | approx. 240 g | approx. 200 g | |
| Operating voltage | max. 5 kV AC | | |
| Short-circuit current/tip | 0,05 mA | 0,04 mA | |
| Contact protection | contact protected according to EN 61140 | | |
| Compressed air | | | |
| Air connection | hose NW10 | | |
| Air consumption | at 6.0 bar | | |
| Air consumption at 6.0 bar | 34 Nm ³ /h | 56.5 Nm ³ /h | 55,6 Nm ³ /h |

Dimensions

PR36/NF without filter, bottom air connection



PR55/G with filter, top air connection



PR55/N without filter, bottom air connection

