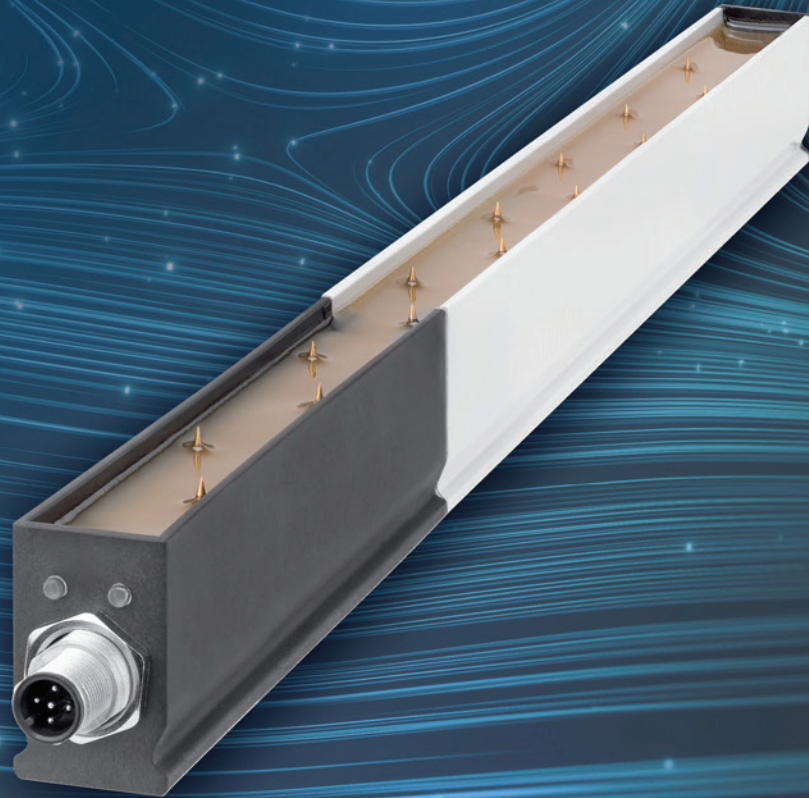


DISCHARGING



ellex

electrostatic
innovations



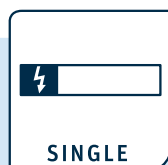
Smart Discharging System SDS

Discharging bar with integrated high voltage generation

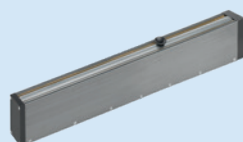
At the Smart Discharging System SDS, the components such as power supply, output stage and measurement technology are completely integrated into the slim bar profile. The system is best suited for discharging in the medium distance and speed range. The system is operated via a central control module.

Advantages at a glance

- › high output voltage for medium discharge range
- › a long life emission tip realized with an optimized high-performance material of the emission tip
- › shockless - no danger of electrical shock to personnel
- › profile easy to clean
- › function and malfunction monitoring of the system with fault signal output



No separate power supply required: Other products of the SINGLE series:



ionSTAR RX3



SMART DISCHARGING SYSTEM SDS

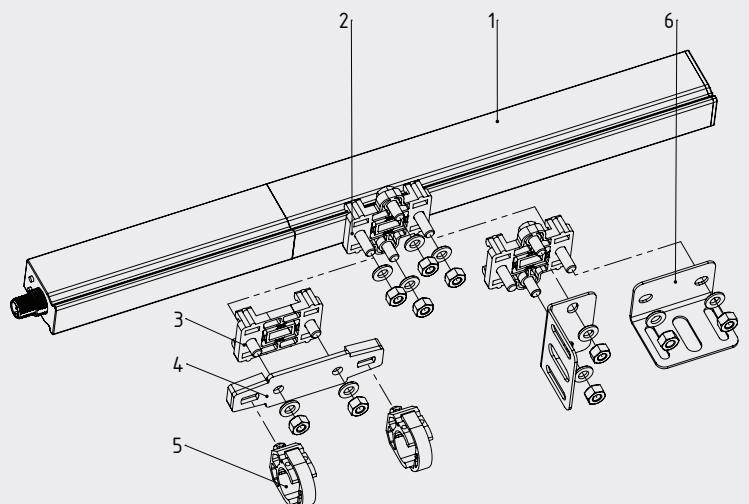
Technical Information

| Input | SDS/N | SDS/E |
|-------------------------------|--|---|
| Supply voltage | 24 V DC +/- 10 % | |
| Power input | 12 Watt maximal | |
| Connectivity | | |
| Interfaces | digital, CANopen® | |
| Output | | |
| Output voltage | +/- 7 kV | +/- 11 kV |
| Short-circuit current/tip | 0.075 A | 0.120 A |
| Frequency | 48 Hz, with CANopen® (ECC) 30– 50 Hz adjustable | 40 Hz, with CANopen® (ECC) 30 – 50 Hz adjustable |
| High voltage generation | internal, cascade | |
| Features | | |
| Ion balance | preset setting | |
| Fuse monitoring | fixed protection circuit | |
| Pollution monitoring | existing | |
| Key data | | |
| Bar element/basic device | glass-fibre-reinforced plastic GRP | |
| Encapsulation material | polyurethane, UL94 V-0 | |
| Emission tips | tungsten | |
| Installation material | glass-fibre-reinforced plastic holder | |
| Operating ambient temperature | +5 ... +50 °C | |
| Ambient humidity | max. 80 % RH, non-dewing | |
| Protection class | IP66 according to EN 60529 | |
| Available active lengths | 330 – 3990 mm in 60 mm steps | 315 – 3915 mm in 90 mm steps |
| Dimensions | 24 x 39 mm, max. length 3990 mm | 24 x 39 mm, max. length 3915 mm |
| Weight | approx. 1.3 kg/m | |
| Contact protection | according to EN 61140 | |



The brackets (2), (3) or (3,4,5) are included in the standard scope of delivery, depending on the configuration. The brackets (6) can be ordered separately.

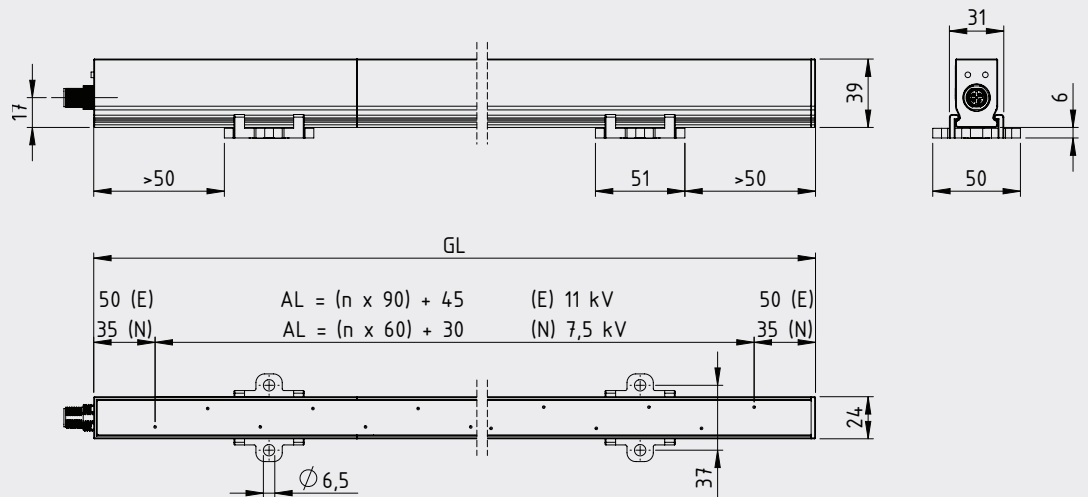
Mounting Options



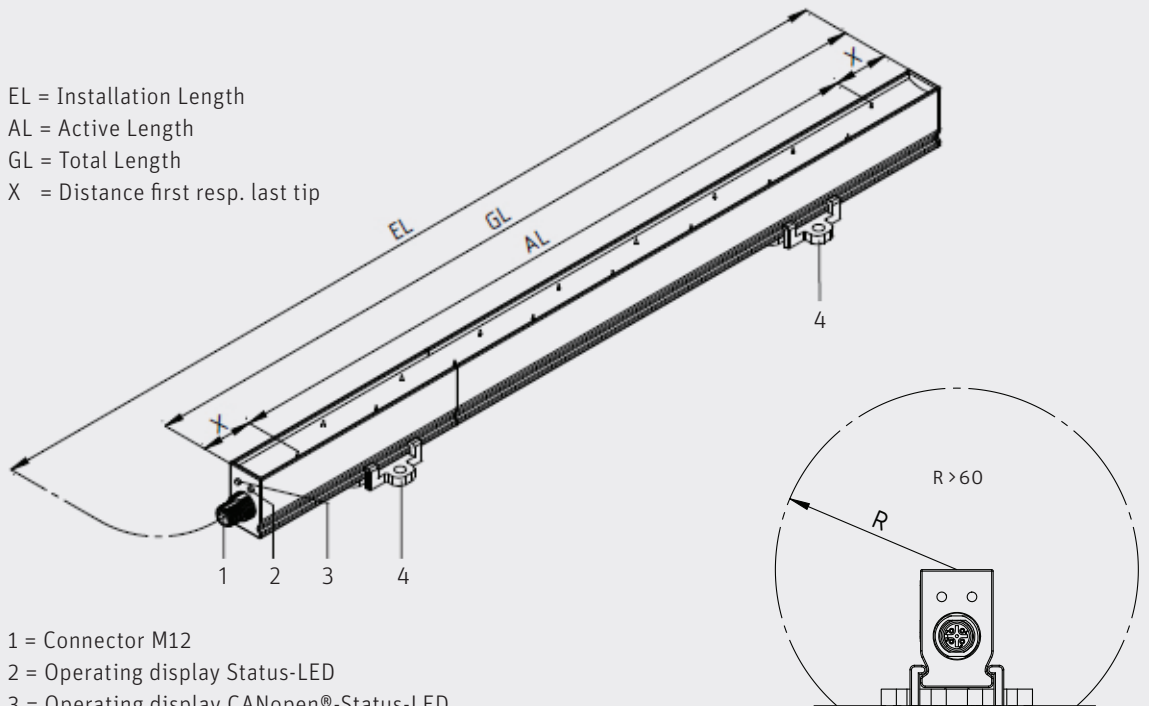


SMART DISCHARGING SYSTEM SDS

Dimensions



- EL = Installation Length
- AL = Active Length
- GL = Total Length
- X = Distance first resp. last tip



- 1 = Connector M12
- 2 = Operating display Status-LED
- 3 = Operating display CANopen®-Status-LED
- 4 = Bracket

