

DISCHARGING



**ellex**

electrostatic  
innovations



## passivBAR RG52

### Passive discharging at the highest level

The passiveBAR RG52 is designed to passively discharge static disruptions during production processes. They are suitable for eliminating charges at moving surfaces. Especially when processing electrically conductive materials, the passiveBAR RG52 is used.

#### Advantages at a glance

- › high passive discharging power due to optimized tip design
- › reliable safety due to resistively isolated grounding tips
- › flexible installation
- › as a passive component the use in explosive atmospheres is permitted suitable for use in explosion-hazard areas


**passivBAR RG52**

## Technical Information

### Key data

Bar element	glass-fibre-reinforced plastic GRP
Encapsulation material	polyurethane, UL-94 V-0
Emission tips	stainless steel
Installation material	plastic sliding nuts
Operating ambient temperature	0 ... +80 °C
Ambient humidity	max. 70 % RH, non-dewing
Available active lengths	20 – 5940 mm in 20 mm steps
Dimensions	16 x 32 mm, max. length 5980 mm
Weight	approx. 0.75 kg/m

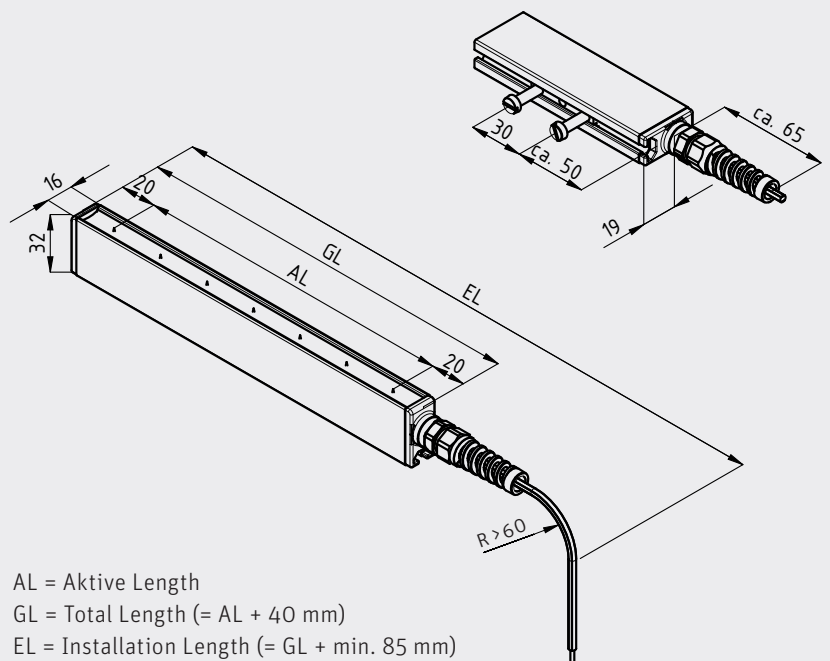
## Dimensions



### Sliding nuts

Scope of delivery related to total length

- up to 1 m: 2 pieces / bar
- up to 2 m: 3 pieces / bar
- up to 3 m: 4 pieces / bar
- up to 4 m: 5 pieces / bar
- up to 5 m: 6 pieces / bar
- up to 6 m: 7 pieces / bar



AL = Active Length

GL = Total Length (= AL + 40 mm)

EL = Installation Length (= GL + min. 85 mm)