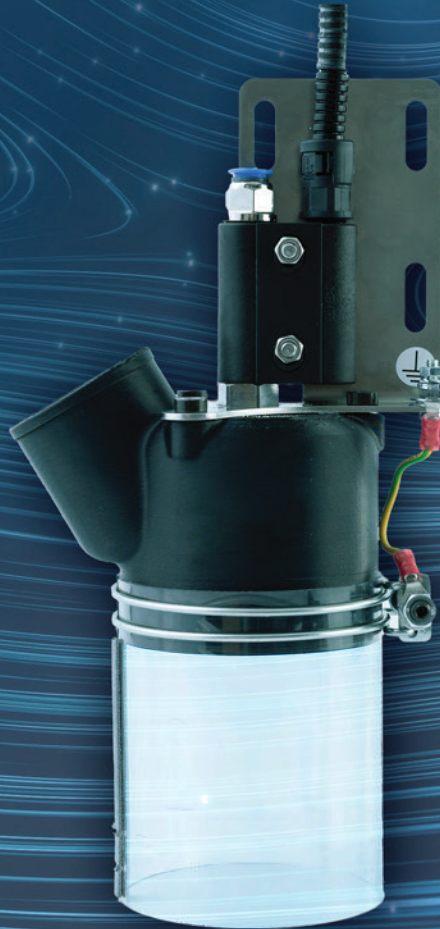


DISCHARGING



eltex

electrostatic  
innovations



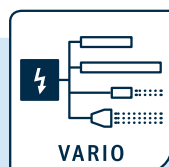
## pointCLEAN SCC-P

### Non-contact discharge and cleaning in minisized format

Static adhering dust is discharged and blown off by a rotating nozzle with two air outlets. The rotation creates a pulsating effect. The nozzle diameter and the angle of the air nozzles can be adjusted independently.

#### Advantages at a glance

- › contactless, dry cleaning process
- › Discharge technology integrated in rotating nozzle
- › optimized flow guidance
- › Ion balance adjustable (POWER IONIZER)
- › conductive enclosure and apron (adaptable)



VARIO

Suitable for connecting  
one or more Eltex  
discharge components:



POWER IONIZER



BASE IONIZER ES60



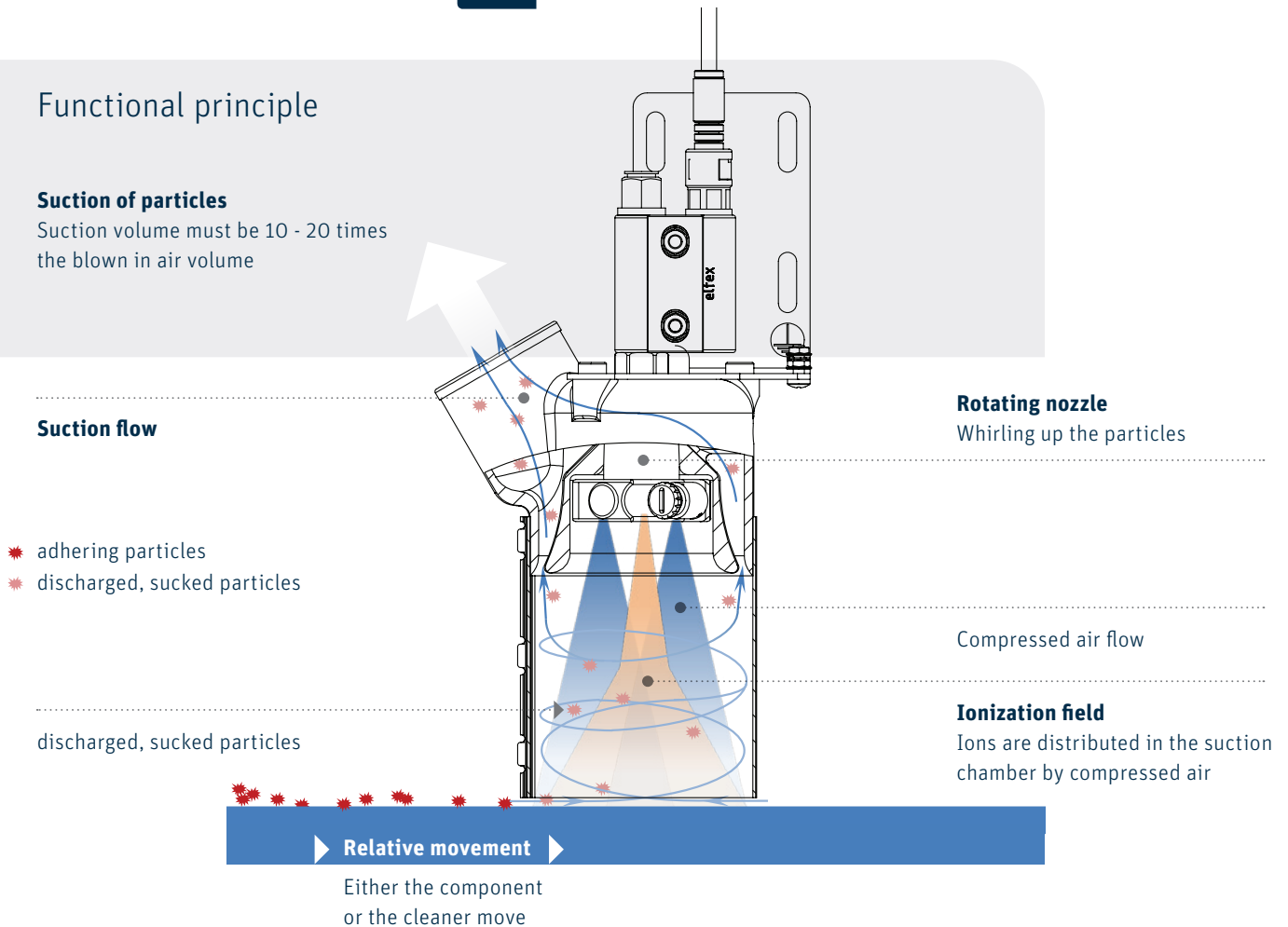
COMPACT IONIZER ES24


**pointCLEAN SCC-P**

## Functional principle

### Suction of particles

Suction volume must be 10 - 20 times the blown in air volume

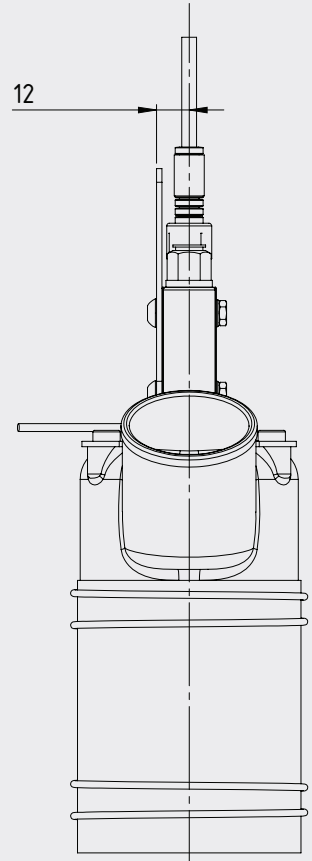
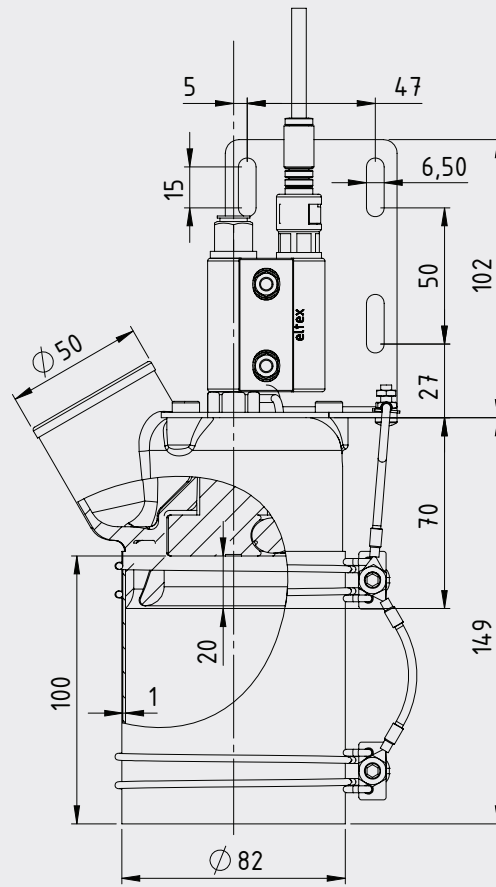


## Technical information

|                           |  |
|---------------------------|--|
| Enclosure                 | stainless steel (mounting bracket), ABS ( enclosure), PC ( apron)    |
| Bar element               | plastic PA6.6, 30 % GF   |
| Emission tips             | tungsten   |
| Operating ambient temp.   | 0 ... +80 °C with compressed air 0 ... +60 °C without compressed air |
| Ambient humidity          | max. 70 % RH, non dewing   |
| Weight                    | approx. 700 g  |
| Operating voltage         | max. 5 kV AC   |
| Short circuit current/tip | 0.05 mA  |
| Contact protection        | contact protected according to EN 61140                              |
| Air connection            | quick plug connection NW8  |
| Max. air pressure         | 6 bar, recommended 0.4 – 1.0 bar                                     |
| Air consumption           | 2 x 1 nozzle   |
| 0.8 mm nozzle             | 7.8 Nm <sup>3</sup> /h   |
| 1.1 mm nozzle             | 11.0 Nm <sup>3</sup> /h  |
| 1.4 mm nozzle             | 12.3 Nm <sup>3</sup> /h  |
| 1.6 mm nozzle             | 13.4 Nm <sup>3</sup> /h  |


**pointCLEAN SCC-P**

## Dimensions



Main dimensions (L x W x H)  
135 mm x 82 mm x 251 mm

