



electrostatic innovations

ELTEX CONNECTED CONTROL ECC

Multifunctional Control Unit

The user-friendly Eltex Connected Control ECC is a central control unit for the operation, visualization, parameterization and monitoring of connected devices. It can be combined with all Eltex product groups. The process data of the connected devices can be set and called up directly.

Advantages at a glance

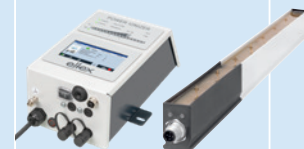
- available as software, built-in or housing version
- a central control unit for all Eltex product groups
- individual grouping of the single devices
- high security due to three password levels



Connectable to all Eltex product groups:



CHARGING



DISCHARGING



GROUNDING



ELTEX CONNECTED CONTROL ECC

Technical Information

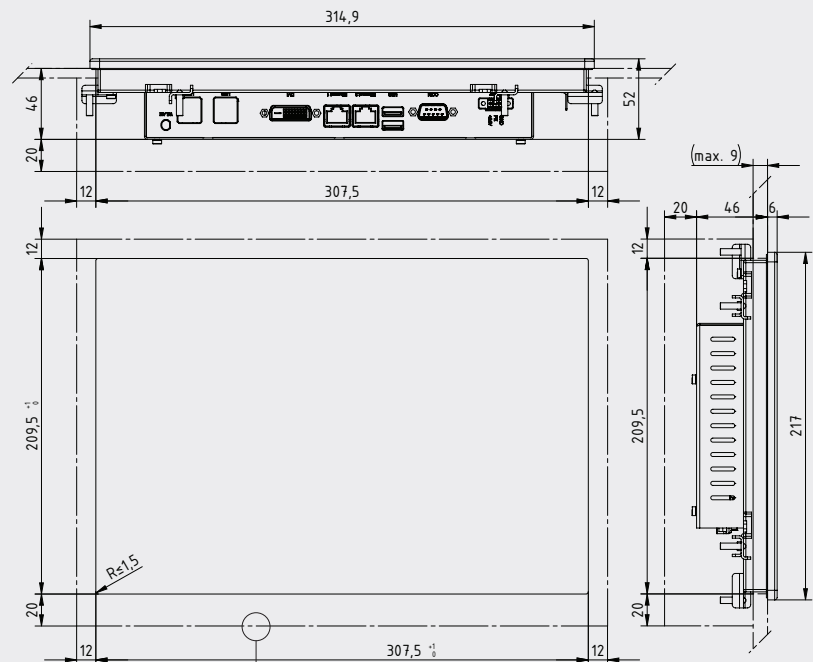
Available configurations

- > Software and CAN bus card with different interfaces
- > Built-in version with 7" or 12.1" screen diagonal
- > Housing version with optional stand



Built-in version ECC/EH 12.1" screen diagonal

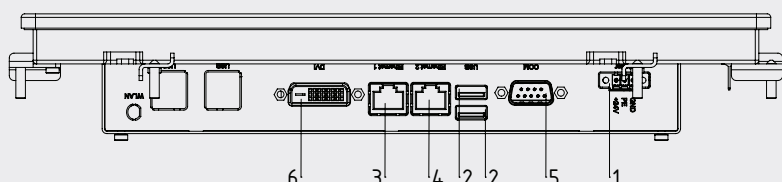
Dimensions



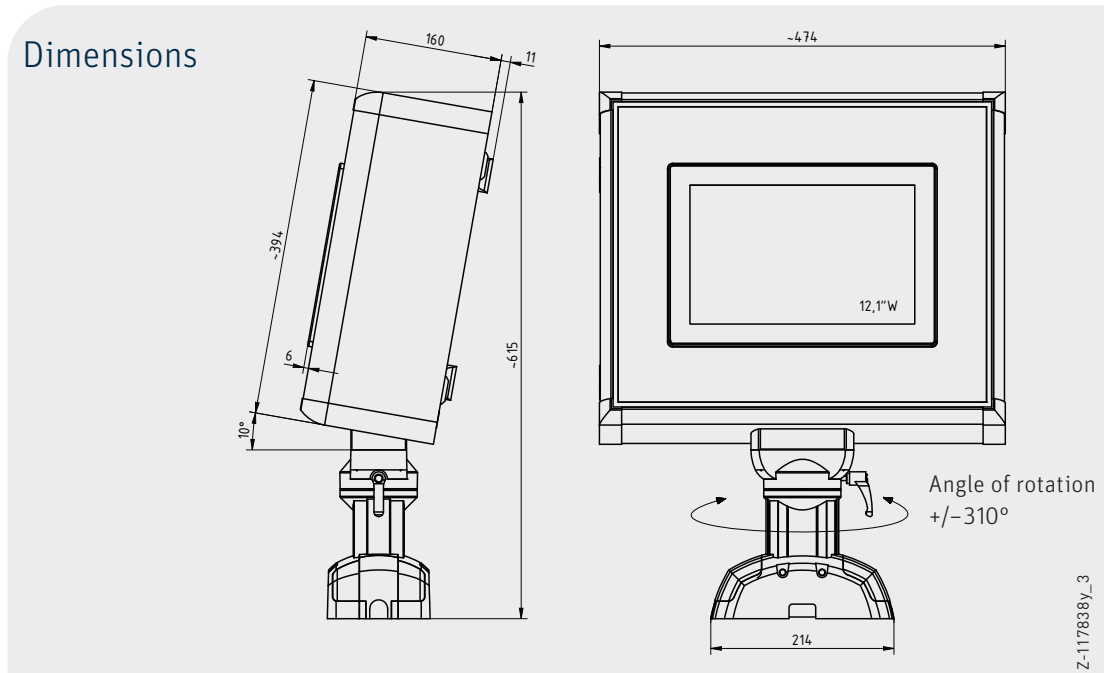
Space for plug, mounting brackets
and ventilation

Connections remote control ECC/EH

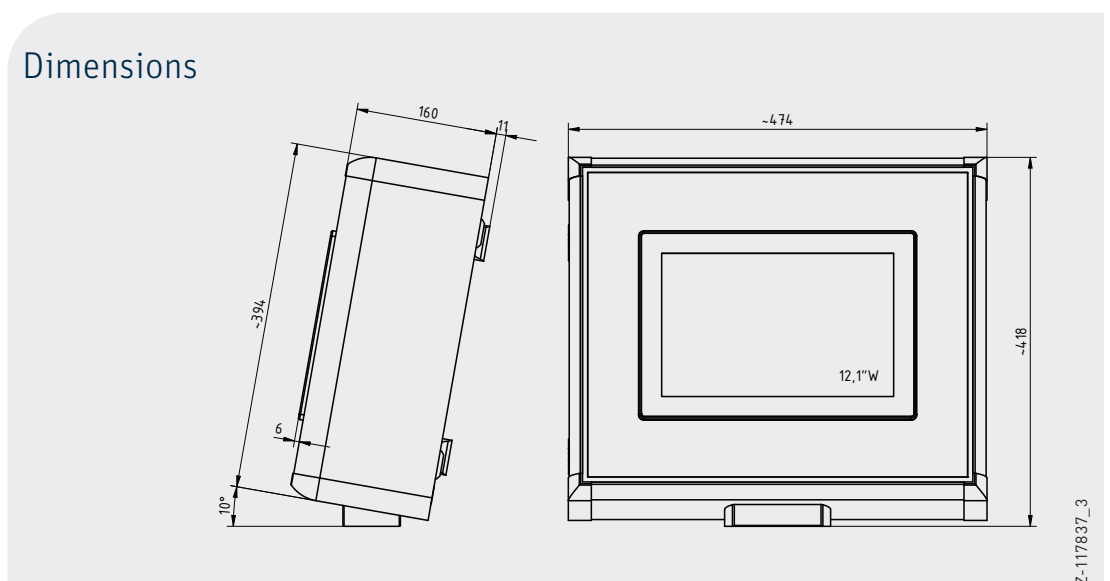
- 1 24 V DC supply $\pm 20\%$
- 2 USB 1 and USB 2
- 3 LAN 1
- 4 LAN 2
- 5 COM, serial interface
- 6 DVI, display connection



**> Housing version with stand ECC/GH
12.1" screen diagonal**



**> Housing version ECC/NG and ECC/NH
12.1" screen diagonal**



All versions also available in 7" screen diagonal

The technical data of the different versions can be found in the operating instructions in the chapter "Technical data ECC".